

Part No.	Description	Part No.	Description	Part No.	Description	Part No.	Description
3969	4822 051 20224 220K 5% 0.1W	5360	4822 130 81424 BZV96-2V0	5356	4822 051 20331 330K 5% 0.1W	5357	4822 051 20332 330K 5% 0.1W
5030	4822 157 63088 0.25W	7300	4822 051 14773 BF663	5358	4822 051 20421 142 5% 0.1W	5359	4822 051 20422 142 5% 0.1W
5031	4822 157 63119 1.5W 5%	7301	4822 051 14774 BF663	5360	4822 051 20423 142 5% 0.1W	5361	4822 051 20424 142 5% 0.1W
5037	4822 157 63139 4.7W	7302	4822 051 14775 BF663	5362	4822 051 20425 142 5% 0.1W	5363	4822 051 20426 142 5% 0.1W
5100	4822 157 60123 6.8W	7303	4822 051 14776 BF663	5364	4822 051 20427 142 5% 0.1W	5365	4822 051 20428 142 5% 0.1W
5101	4822 157 60123 6.8W	7304	4822 051 14777 BF663	5366	4822 051 20429 142 5% 0.1W	5367	4822 051 20430 142 5% 0.1W
5105	4822 157 63065 0.5W (RG561)	7305	4822 051 14778 BF663	5368	4822 051 20431 142 5% 0.1W	5369	4822 051 20432 142 5% 0.1W
5106	4822 157 63065 0.5W (RG61)	7306	4822 051 14779 BF663	5370	4822 051 20433 142 5% 0.1W	5371	4822 051 20434 142 5% 0.1W
5108	4822 157 61482 10W	7307	4822 051 14780 BF663	5372	4822 051 20435 142 5% 0.1W	5373	4822 051 20436 142 5% 0.1W
5114	4822 157 63068 0.25W	7308	4822 051 14781 BF663	5374	4822 051 20437 142 5% 0.1W	5375	4822 051 20438 142 5% 0.1W
5117	4822 157 63068 0.25W	7309	4822 051 14782 BF663	5376	4822 051 20439 142 5% 0.1W	5377	4822 051 20440 142 5% 0.1W
5600	4822 157 61216 5.0W	7310	4822 051 14783 BF663	5378	4822 051 20441 142 5% 0.1W	5379	4822 051 20442 142 5% 0.1W
5614	4822 157 70026 2.4W	7311	4822 051 14784 BF663	5380	4822 051 20443 142 5% 0.1W	5381	4822 051 20444 142 5% 0.1W
5616	4822 157 70026 2.4W	7312	4822 051 14785 BF663	5382	4822 051 20445 142 5% 0.1W	5383	4822 051 20446 142 5% 0.1W
5651	4822 157 70066 1.5W 10%	7313	4822 051 14786 BF663	5384	4822 051 20447 142 5% 0.1W	5385	4822 051 20448 142 5% 0.1W
5652	4822 157 71883 27U 5%	7314	4822 051 14787 BF663	5386	4822 051 20449 142 5% 0.1W	5387	4822 051 20450 142 5% 0.1W
5653	4822 157 71883 27U 5%	7315	4822 051 14788 BF663	5388	4822 051 20451 142 5% 0.1W	5389	4822 051 20452 142 5% 0.1W
5705	4822 157 61216 5.0W	7316	4822 051 14789 BF663	5390	4822 051 20453 142 5% 0.1W	5391	4822 051 20454 142 5% 0.1W
6003	4822 130 34142 BZV79-C33	7317	4822 051 14790 BF663	5392	4822 051 20455 142 5% 0.1W	5393	4822 051 20456 142 5% 0.1W
6031	4822 130 30621 N14148	7318	4822 051 14791 BF663	5394	4822 051 20457 142 5% 0.1W	5395	4822 051 20458 142 5% 0.1W
6034	4822 130 30621 N14148	7319	4822 051 14792 BF663	5396	4822 051 20459 142 5% 0.1W	5397	4822 051 20460 142 5% 0.1W
6035	4822 130 30621 N14148	7320	4822 051 14793 BF663	5398	4822 051 20461 142 5% 0.1W	5399	4822 051 20462 142 5% 0.1W
6105	4822 130 30621 N14148	7321	4822 051 14794 BF663	5400	4822 051 20463 142 5% 0.1W	5401	4822 051 20464 142 5% 0.1W
6107	4822 130 30621 N14148	7322	4822 051 14795 BF663	5402	4822 051 20465 142 5% 0.1W	5403	4822 051 20466 142 5% 0.1W
6108	4822 130 30621 N14148	7323	4822 051 14796 BF663	5404	4822 051 20467 142 5% 0.1W	5405	4822 051 20468 142 5% 0.1W
6109	4822 130 30621 N14148	7324	4822 051 14797 BF663	5406	4822 051 20469 142 5% 0.1W	5407	4822 051 20470 142 5% 0.1W
6111	4822 130 34629 BZV79-FV1	7325	4822 051 14798 BF663	5408	4822 051 20471 142 5% 0.1W	5409	4822 051 20472 142 5% 0.1W
6660	4822 130 30621 N14148	7326	4822 051 14799 BF663	5410	4822 051 20473 142 5% 0.1W	5411	4822 051 20474 142 5% 0.1W
6661	4822 130 30621 N14148	7327	4822 051 14800 BF663	5412	4822 051 20475 142 5% 0.1W	5413	4822 051 20476 142 5% 0.1W
6662	4822 130 30621 N14148	7328	4822 051 14801 BF663	5414	4822 051 20477 142 5% 0.1W	5415	4822 051 20478 142 5% 0.1W
6663	4822 130 30621 N14148	7329	4822 051 14802 BF663	5416	4822 051 20479 142 5% 0.1W	5417	4822 051 20480 142 5% 0.1W
6664	4822 130 30621 N14148	7330	4822 051 14803 BF663	5418	4822 051 20481 142 5% 0.1W	5419	4822 051 20482 142 5% 0.1W
6665	4822 130 31983 BA785	7331	4822 051 14804 BF663	5420	4822 051 20483 142 5% 0.1W	5421	4822 051 20484 142 5% 0.1W
6680	4822 130 34379 BZV79-C27	7332	4822 051 14805 BF663	5422	4822 051 20485 142 5% 0.1W	5423	4822 051 20486 142 5% 0.1W
6681	4822 130 34379 BZV79-C27	7333	4822 051 14806 BF663	5424	4822 051 20487 142 5% 0.1W	5425	4822 051 20488 142 5% 0.1W
6682	4822 130 34379 BZV79-C27	7334	4822 051 14807 BF663	5426	4822 051 20489 142 5% 0.1W	5427	4822 051 20490 142 5% 0.1W
6683	4822 130 34379 BZV79-C27	7335	4822 051 14808 BF663	5428	4822 051 20491 142 5% 0.1W	5429	4822 051 20492 142 5% 0.1W
6684	4822 130 34379 BZV79-C27	7336	4822 051 14809 BF663	5430	4822 051 20493 142 5% 0.1W	5431	4822 051 20494 142 5% 0.1W
6685	4822 130 34379 BZV79-C27	7337	4822 051 14810 BF663	5432	4822 051 20495 142 5% 0.1W	5433	4822 051 20496 142 5% 0.1W
7009	4822 130 41982 BC848	7338	4822 051 14811 BF663	5434	4822 051 20497 142 5% 0.1W	5435	4822 051 20498 142 5% 0.1W
7010	4822 130 41982 BC848	7339	4822 051 14812 BF663	5436	4822 051 20499 142 5% 0.1W	5437	4822 051 20500 142 5% 0.1W
7031	4822 130 41982 BC848	7340	4822 051 14813 BF663	5438	4822 051 20501 142 5% 0.1W	5439	4822 051 20502 142 5% 0.1W
7032	4822 130 41982 BC848	7341	4822 051 14814 BF663	5440	4822 051 20503 142 5% 0.1W	5441	4822 051 20504 142 5% 0.1W
7033	4822 130 41982 BC848	7342	4822 051 14815 BF663	5442	4822 051 20505 142 5% 0.1W	5443	4822 051 20506 142 5% 0.1W
7034	4822 130 41982 BC848	7343	4822 051 14816 BF663	5444	4822 051 20507 142 5% 0.1W	5445	4822 051 20508 142 5% 0.1W
7102	4822 130 41982 BC848	7344	4822 051 14817 BF663	5446	4822 051 20509 142 5% 0.1W	5447	4822 051 20510 142 5% 0.1W
7103	4822 130 41982 BC848	7345	4822 051 14818 BF663	5448	4822 051 20511 142 5% 0.1W	5449	4822 051 20512 142 5% 0.1W
7105	4822 130 42136 BC948	7346	4822 051 14819 BF663	5450	4822 051 20513 142 5% 0.1W	5451	4822 051 20514 142 5% 0.1W
7108	4822 130 42136 BC948	7347	4822 051 14820 BF663	5452	4822 051 20515 142 5% 0.1W	5453	4822 051 20516 142 5% 0.1W
7109	4822 130 42136 BC948	7348	4822 051 14821 BF663	5454	4822 051 20517 142 5% 0.1W	5455	4822 051 20518 142 5% 0.1W
7110	4822 130 42136 BC948	7349	4822 051 14822 BF663	5456	4822 051 20519 142 5% 0.1W	5457	4822 051 20520 142 5% 0.1W
7111	4822 130 42136 BC948	7350	4822 051 14823 BF663	5458	4822 051 20521 142 5% 0.1W	5459	4822 051 20522 142 5% 0.1W
7112	4822 130 42136 BC948	7351	4822 051 14824 BF663	5460	4822 051 20523 142 5% 0.1W	5461	4822 051 20524 142 5% 0.1W
7120	4822 130 41982 BC848	7352	4822 051 14825 BF663	5462	4822 051 20525 142 5% 0.1W	5463	4822 051 20526 142 5% 0.1W
7140	4822 209 12635 DA4865V4	7353	4822 051 14826 BF663	5464	4822 051 20527 142 5% 0.1W	5465	4822 051 20528 142 5% 0.1W
7150	4822 130 41982 BC848	7354	4822 051 14827 BF663	5466	4822 051 20529 142 5% 0.1W	5467	4822 051 20530 142 5% 0.1W
7600	4822 900 10871 uP M12C01-4.0	7355	4822 051 14828 BF663	5468	4822 051 20531 142 5% 0.1W	5469	4822 051 20532 142 5% 0.1W
7600	See also Product Survey	7356	4822 051 14829 BF663	5470	4822 051 20533 142 5% 0.1W	5471	4822 051 20534 142 5% 0.1W
7601	4822 130 41982 BC848	7357	4822 051 14830 BF663	5472	4822 051 20535 142 5% 0.1W	5473	4822 051 20536 142 5% 0.1W
7602	4822 130 41982 BC848	7358	4822 051 14831 BF663	5474	4822 051 20537 142 5% 0.1W	5475	4822 051 20538 142 5% 0.1W
7603	4822 130 41982 BC848	7359	4822 051 14832 BF663	5476	4822 051 20539 142 5% 0.1W	5477	4822 051 20540 142 5% 0.1W
7604	4822 130 41982 BC848	7360	4822 051 14833 BF663	5478	4822 051 20541 142 5% 0.1W	5479	4822 051 20542 142 5% 0.1W
7605	4822 130 41982 BC848	7361	4822 051 14834 BF663	5480	4822 051 20543 142 5% 0.1W	5481	4822 051 20544 142 5% 0.1W
7606	4822 130 41982 BC848	7362	4822 051 14835 BF663	5482	4822 051 20545 142 5% 0.1W	5483	4822 051 20546 142 5% 0.1W
7607	4822 130 41982 BC848	7363	4822 051 14836 BF663	5484	4822 051 20547 142 5% 0.1W	5485	4822 051 20548 142 5% 0.1W
7608	4822 130 41982 BC848	7364	4822 051 14837 BF663	5486	4822 051 20549 142 5% 0.1W	5487	4822 051 20550 142 5% 0.1W
7609	4822 130 41982 BC848	7365	4822 051 14838 BF663	5488	4822 051 20551 142 5% 0.1W	5489	4822 051 20552 142 5% 0.1W
7610	4822 130 41982 BC848	7366	4822 051 14839 BF663	5490	4822 051 20553 142 5% 0.1W	5491	4822 051 20554 142 5% 0.1W
7611	4822 130 41982 BC848	7367	4822 051 14840 BF663	5492	4822 051 20555 142 5% 0.1W	5493	4822 051 20556 142 5% 0.1W
7612	4822 130 41982 BC848	7368	4822 051 14841 BF663	5494	4822 051 20557 142 5% 0.1W	5495	4822 051 20558 142 5% 0.1W
7613	4822 130 41982 BC848	7369	4822 051 14842 BF663	5496	4822 051 20559 142 5% 0.1W	5497	4822 051 20560 142 5% 0.1W
7614	4822 130 41982 BC848	7370	4822 051 14843 BF663	5498	4822 051 20561 142 5% 0.1W	5499	4822 051 20562 142 5% 0.1W
7615	4822 130 41982 BC848	7371	4822 051 14844 BF663	5500	4822 051 20563 142 5% 0.1W	5501	4822 051 20564 142 5% 0.1W
7616	4822 130 41982 BC848	7372	4822 051 14845 BF663	5502	4822 051 20565 142 5% 0.1W	5503	4822 051 20566 142 5% 0.1W
7617	4822 130 41982 BC848	7373	4822 051 14846 BF663	5504	4822 051 20567 142 5% 0.1W	5505	4822 051 20568 142 5% 0.1W
7618	4822 130 41982 BC848	7374	4822 051 14847 BF663	5506	4822 051 20569 142 5% 0.1W	5507	4822 051 20570 142 5% 0.1W

Service
Service
Service

MD1.2E

AA
SUPPLEMENT

For Service Manuals Contact
MAURITRON TECHNICAL SERVICES
8 Cherry Tree Rd, Chinnor
Oxon OX9 4QY
Tel:- 01844-351694 Fax:- 01844-352554
Email:- enquiries@mauritron.co.uk

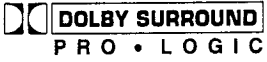
Service Manual

Supplement for Chassis Manual MD1.2E AA 4822 727 20979

Contents	Page	
2. Connection facilities		2
PWB location drawing		2
4. Mechanical instructions		3
5. Wiring diagram		3
7. <i>Electrical diagrams and PWB-layouts</i>		<i>Diagram</i> <i>PWB</i>
CRT/Scavem panel (Diagram C)	4	5
Surround Sound Amplifier panel (Diagram H1)	6	6
Click-fit panel (Diagram H2)	7	7
DBE panel (Diagram H3)	8	8
Mains + Front control panel (Diagram J)	9	9
16:9 panel (Diagram L)	10	11
Audio module (Dolby) (Diagram P)	12	11
Mains/RC5/LED panel (Classic line) (Diagram T)	13	13
8. Electrical adjustments		14
9. Circuit description		14
10. Directions for use		16
11. List of abbreviations		18
12. Spare parts list		18



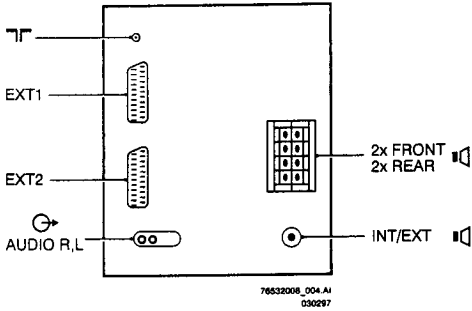
2. Connection facilities



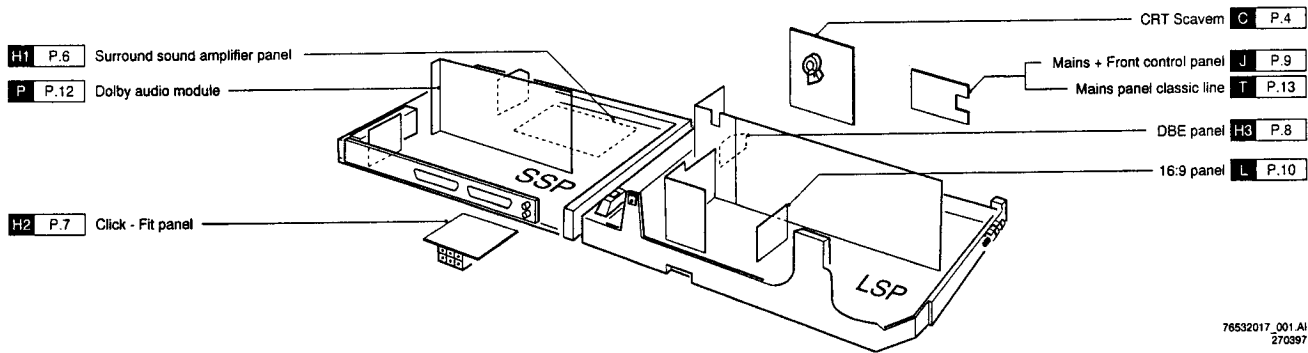
Manufactured under license from Dolby Laboratories Licensing Corporation.

DOLBY, the double-D symbol and PRO LOGIC are trademarks of Dolby Laboratories Licensing Corporation.

Rear connections (Dolby Pro Logic)



PWB location drawing



4. Mechanical instructions

The service positions for the MD1.2E are described in Service Manual MD1.2E AA. Here are several supplements for 16:9 and Dolby sets.

4.1 16:9 sets with rotation coil

To put sets with a rotation coil into the various service positions the connection between the rotation coil and connector F93 on the 16:9 panel has to be disconnected. The set will continue to function normally, but the picture can no longer be tilted.

4.2 Dolby Pro Logic sets

4.2.1 Click-fit panel

The click-fit panel is fitted to the cover plate by screws located above and below the loudspeaker connections.

4.2.2 DBE module

The DBE module can be removed for repair, module replacement, or for making repairs to the LSP in the vicinity of the DBE module. If the DBE is removed the set will continue to function normally but without sound.

4.2.3 Surround Sound Amplifier (Fig. 4.1)

The Surround Sound Amplifier panel can be removed from the bracket in the following manner:

1. Press click (1) inwards;
2. Pull bracket (2) outwards;
3. The Surround Sound Amplifier panel can now be pulled forward (3).

4.2.4 Component side Small Signal Panel (SSP)

To access the component side of the SSP it is necessary to remove the Surround Sound Amplifier, including the bracket:

1. Press the click (4) inwards;
2. Lift the bracket and pull it forward (5).

The component side of the SSP is now accessible.

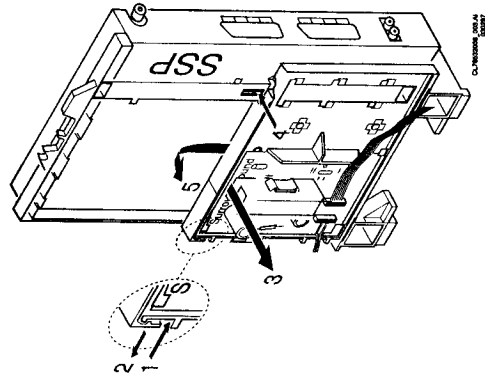
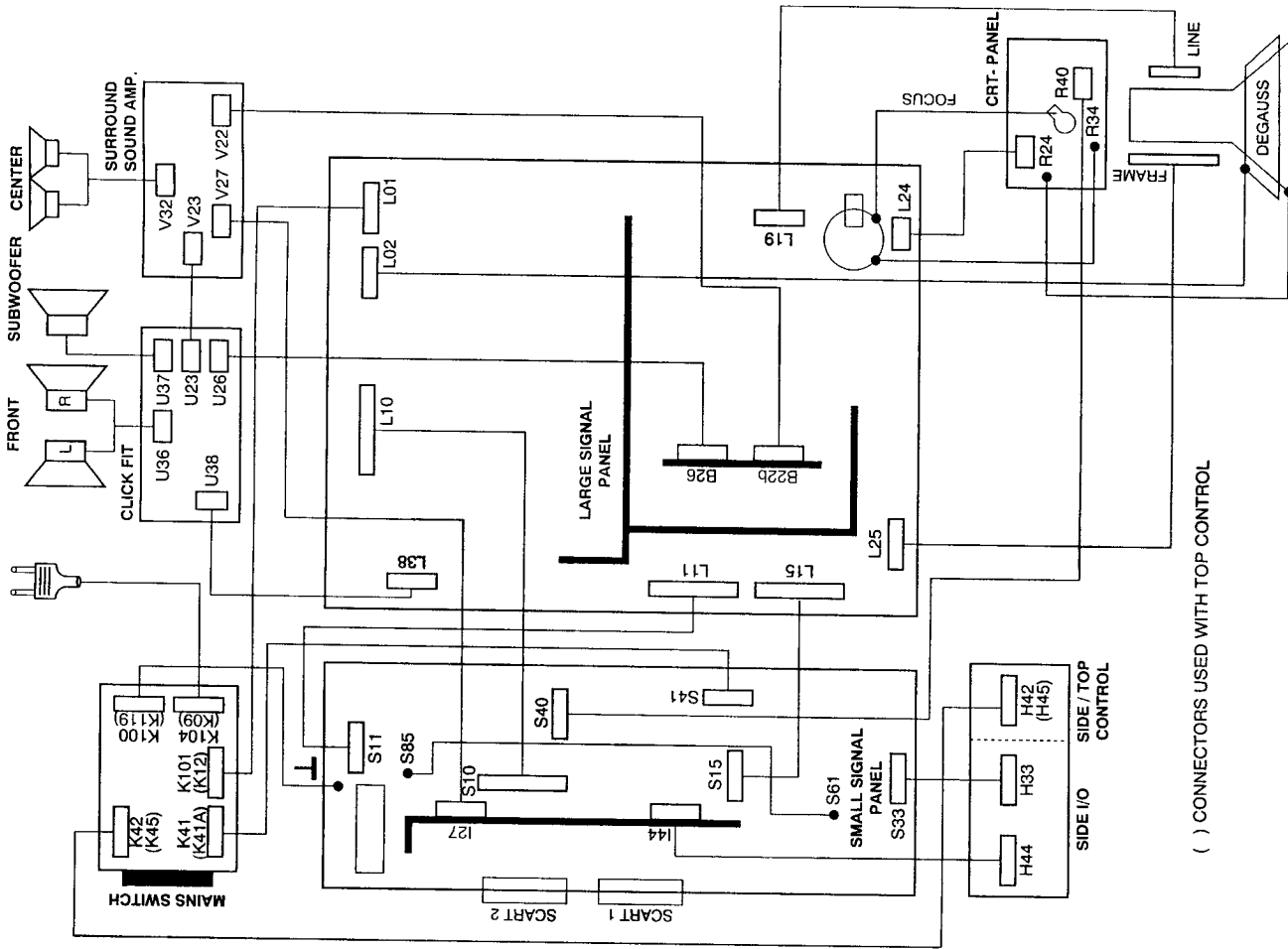


Fig. 4.1

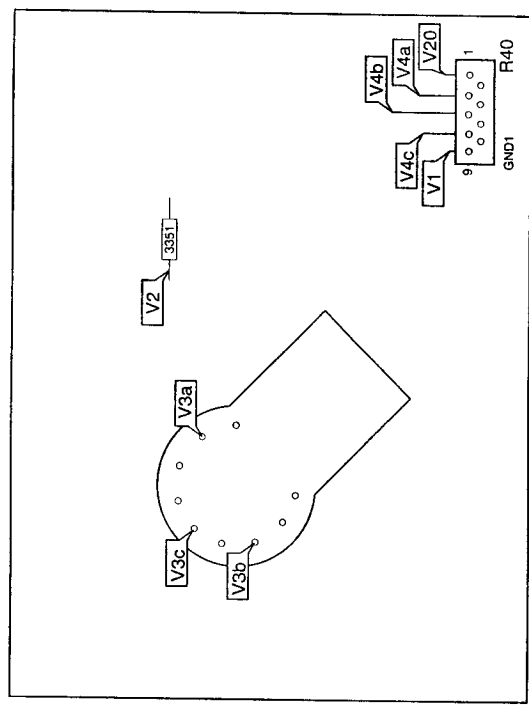
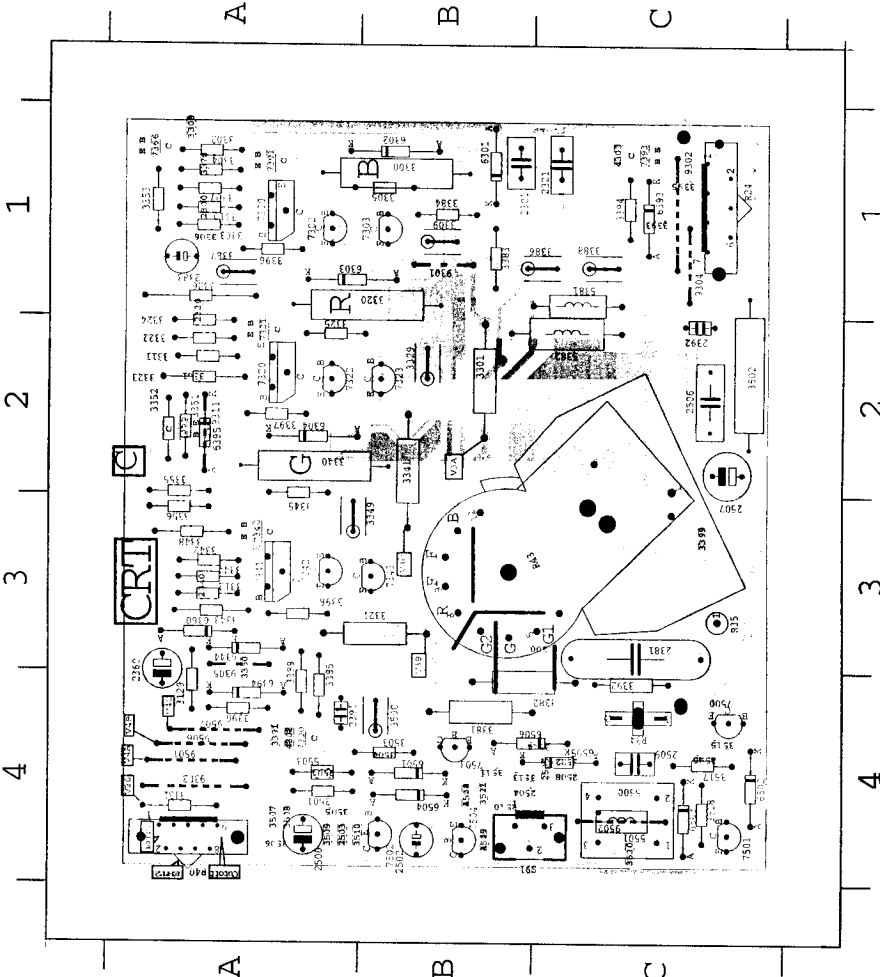
5. Wiring diagram / Verdrahtungsschema / Schéma de câblage



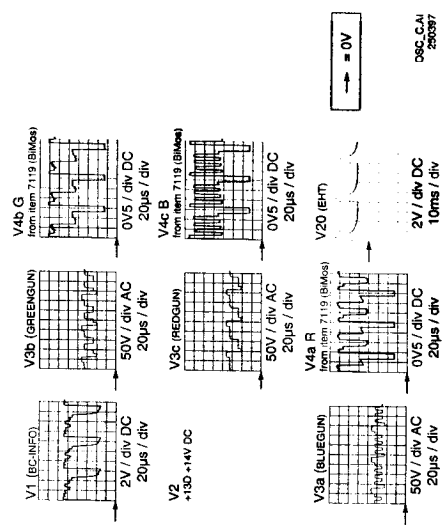
() CONNECTORS USED WITH TOP CONTROL

CL: 76532008_001.AI
250397

2300 A 1	2501 A 1	3100 A 1	3300 A 1	3310 A 1	3310 A 2	3310 A 3	3310 A 4	3310 A 5	3310 A 6	3310 A 7	3310 A 8	3310 A 9	3310 A 10	3310 A 11	3310 A 12	3310 A 13	3310 A 14	3310 A 15	3310 A 16	3310 A 17	3310 A 18	3310 A 19	3310 A 20	3310 A 21	3310 A 22	3310 A 23	3310 A 24	3310 A 25	3310 A 26	3310 A 27	3310 A 28	3310 A 29	3310 A 30	3310 A 31	3310 A 32	3310 A 33	3310 A 34	3310 A 35	3310 A 36	3310 A 37	3310 A 38	3310 A 39	3310 A 40	3310 A 41	3310 A 42	3310 A 43	3310 A 44	3310 A 45	3310 A 46	3310 A 47	3310 A 48	3310 A 49	3310 A 50	3310 A 51	3310 A 52	3310 A 53	3310 A 54	3310 A 55	3310 A 56	3310 A 57	3310 A 58	3310 A 59	3310 A 60	3310 A 61	3310 A 62	3310 A 63	3310 A 64	3310 A 65	3310 A 66	3310 A 67	3310 A 68	3310 A 69	3310 A 70	3310 A 71	3310 A 72	3310 A 73	3310 A 74	3310 A 75	3310 A 76	3310 A 77	3310 A 78	3310 A 79	3310 A 80	3310 A 81	3310 A 82	3310 A 83	3310 A 84	3310 A 85	3310 A 86	3310 A 87	3310 A 88	3310 A 89	3310 A 90	3310 A 91	3310 A 92	3310 A 93	3310 A 94	3310 A 95	3310 A 96	3310 A 97	3310 A 98	3310 A 99	3310 A 100
----------	----------	----------	----------	----------	----------	----------	----------	----------	----------	----------	----------	----------	-----------	-----------	-----------	-----------	-----------	-----------	-----------	-----------	-----------	-----------	-----------	-----------	-----------	-----------	-----------	-----------	-----------	-----------	-----------	-----------	-----------	-----------	-----------	-----------	-----------	-----------	-----------	-----------	-----------	-----------	-----------	-----------	-----------	-----------	-----------	-----------	-----------	-----------	-----------	-----------	-----------	-----------	-----------	-----------	-----------	-----------	-----------	-----------	-----------	-----------	-----------	-----------	-----------	-----------	-----------	-----------	-----------	-----------	-----------	-----------	-----------	-----------	-----------	-----------	-----------	-----------	-----------	-----------	-----------	-----------	-----------	-----------	-----------	-----------	-----------	-----------	-----------	-----------	-----------	-----------	-----------	-----------	-----------	-----------	-----------	-----------	-----------	-----------	-----------	-----------	------------

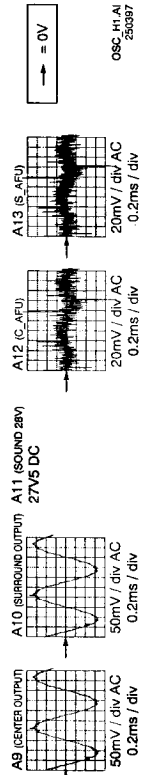
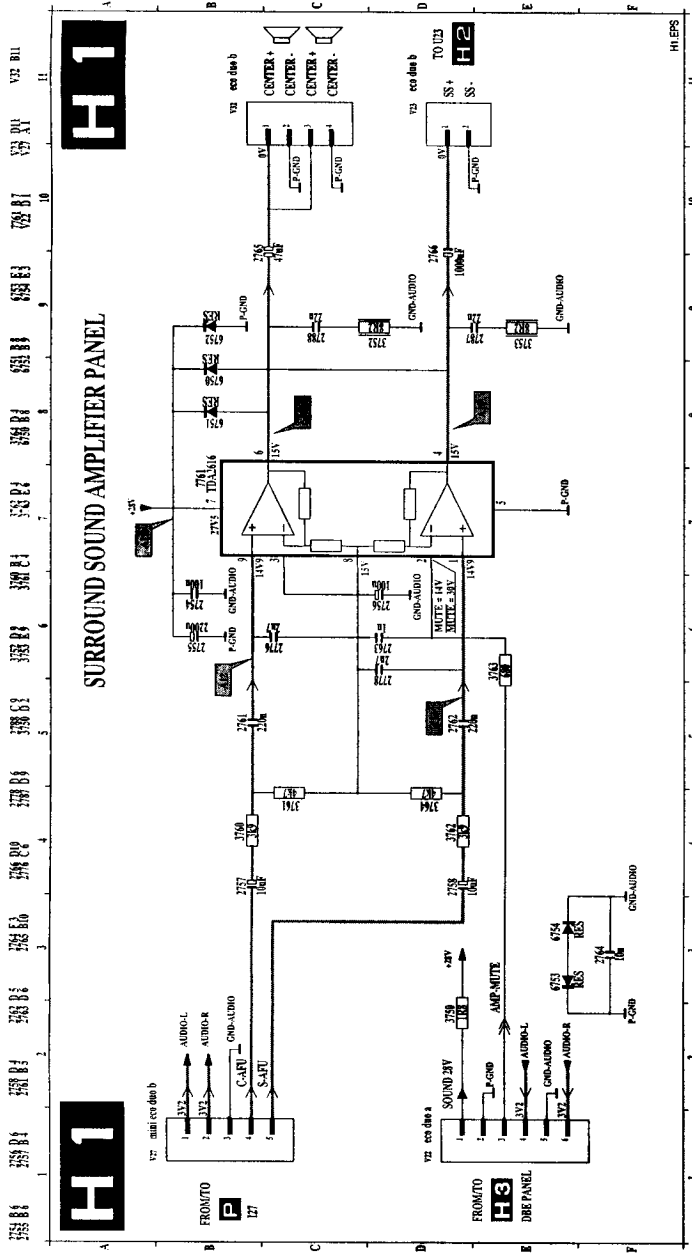
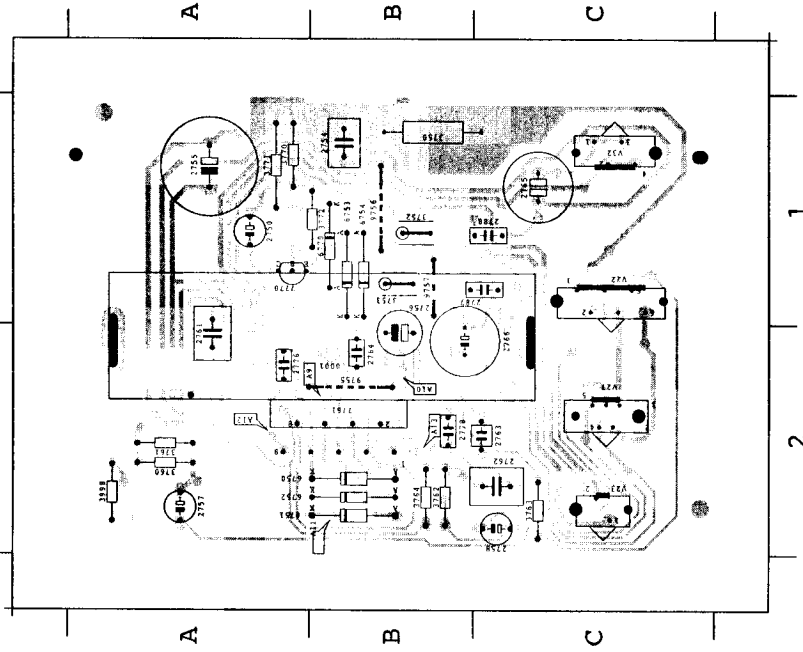


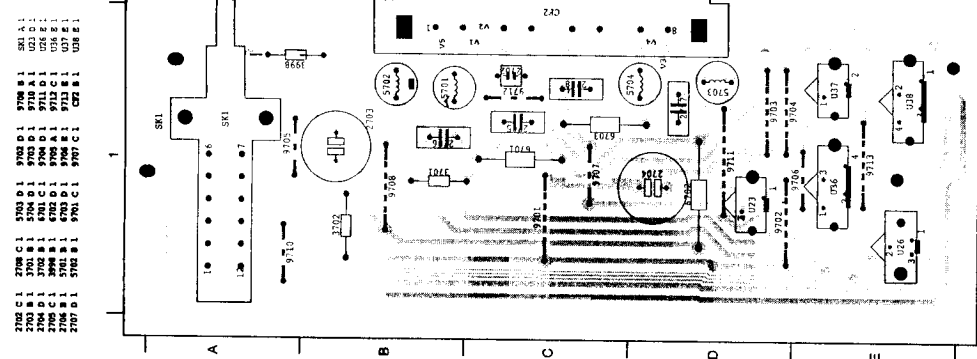
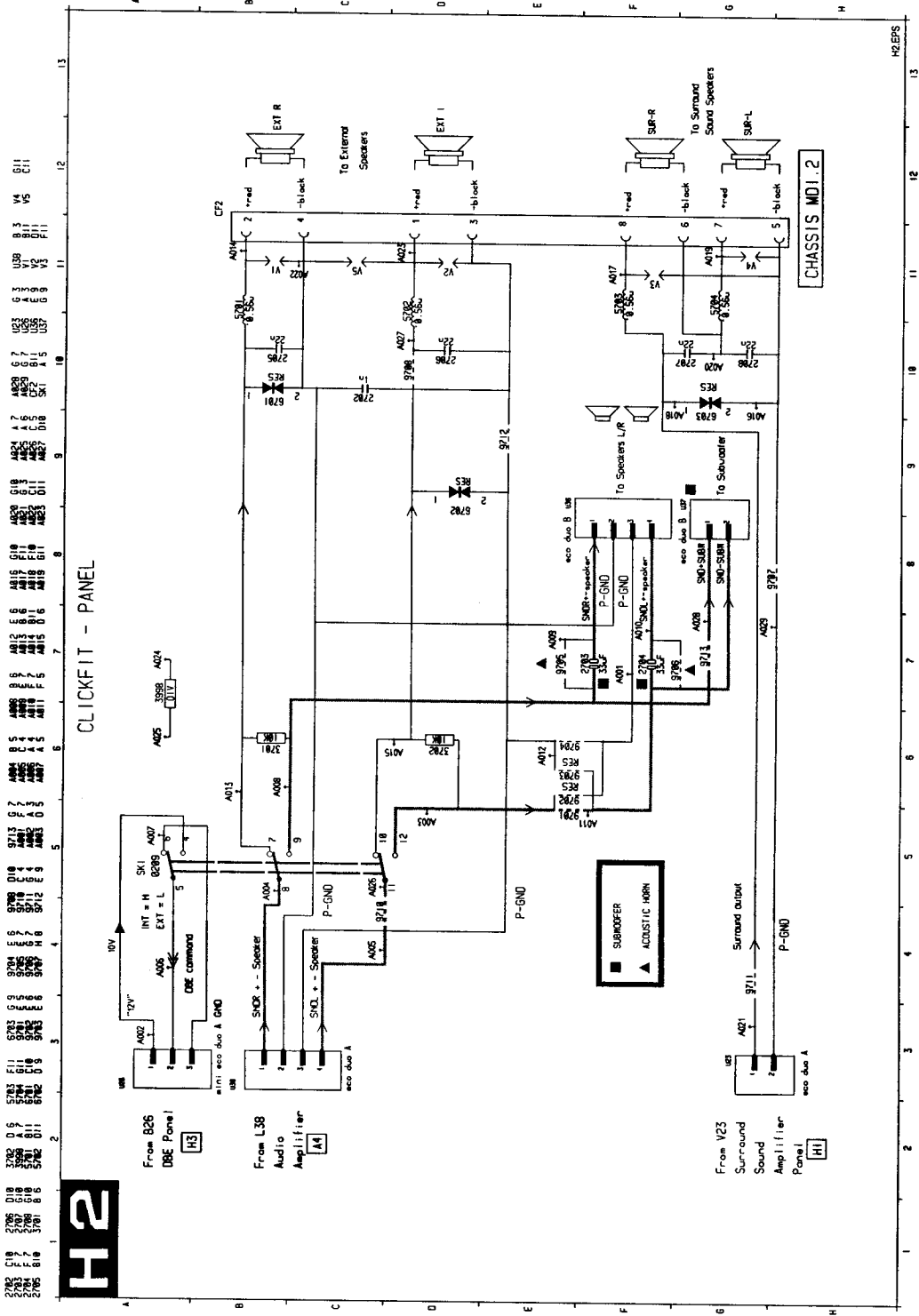
CL 7632003_000.ap
250397



For Service Manuals Contact
MAURITRON TECHNICAL SERVICES
 8 Cherry Tree Rd, Chinnor
 Oxon OX9 4QY
 Tel: 01844-351694 Fax: 01844-352554
 Email: enquiries@mauritron.co.uk

0001 A.2	2151 A.2	2154 A.2	2157 A.2	2160 A.2	2163 A.2	2166 A.2	2169 A.2	2172 A.2	2175 A.2	2178 A.2	2181 A.2	2184 A.2	2187 A.2	2190 A.2	2193 A.2	2196 A.2	2199 A.2	2202 A.2	2205 A.2	2208 A.2	2211 A.2	2214 A.2	2217 A.2	2220 A.2	2223 A.2	2226 A.2	2229 A.2	2232 A.2	2235 A.2	2238 A.2	2241 A.2	2244 A.2	2247 A.2	2250 A.2	2253 A.2	2256 A.2	2259 A.2	2262 A.2	2265 A.2	2268 A.2	2271 A.2	2274 A.2	2277 A.2	2280 A.2	2283 A.2	2286 A.2	2289 A.2	2292 A.2	2295 A.2	2298 A.2	2301 A.2	2304 A.2	2307 A.2	2310 A.2	2313 A.2	2316 A.2	2319 A.2	2322 A.2	2325 A.2	2328 A.2	2331 A.2	2334 A.2	2337 A.2	2340 A.2	2343 A.2	2346 A.2	2349 A.2	2352 A.2	2355 A.2	2358 A.2	2361 A.2	2364 A.2	2367 A.2	2370 A.2	2373 A.2	2376 A.2	2379 A.2	2382 A.2	2385 A.2	2388 A.2	2391 A.2	2394 A.2	2397 A.2	2400 A.2	2403 A.2	2406 A.2	2409 A.2	2412 A.2	2415 A.2	2418 A.2	2421 A.2	2424 A.2	2427 A.2	2430 A.2	2433 A.2	2436 A.2	2439 A.2	2442 A.2	2445 A.2	2448 A.2	2451 A.2	2454 A.2	2457 A.2	2460 A.2	2463 A.2	2466 A.2	2469 A.2	2472 A.2	2475 A.2	2478 A.2	2481 A.2	2484 A.2	2487 A.2	2490 A.2	2493 A.2	2496 A.2	2499 A.2	2502 A.2	2505 A.2	2508 A.2	2511 A.2	2514 A.2	2517 A.2	2520 A.2	2523 A.2	2526 A.2	2529 A.2	2532 A.2	2535 A.2	2538 A.2	2541 A.2	2544 A.2	2547 A.2	2550 A.2	2553 A.2	2556 A.2	2559 A.2	2562 A.2	2565 A.2	2568 A.2	2571 A.2	2574 A.2	2577 A.2	2580 A.2	2583 A.2	2586 A.2	2589 A.2	2592 A.2	2595 A.2	2598 A.2	2601 A.2	2604 A.2	2607 A.2	2610 A.2	2613 A.2	2616 A.2	2619 A.2	2622 A.2	2625 A.2	2628 A.2	2631 A.2	2634 A.2	2637 A.2	2640 A.2	2643 A.2	2646 A.2	2649 A.2	2652 A.2	2655 A.2	2658 A.2	2661 A.2	2664 A.2	2667 A.2	2670 A.2	2673 A.2	2676 A.2	2679 A.2	2682 A.2	2685 A.2	2688 A.2	2691 A.2	2694 A.2	2697 A.2	2700 A.2	2703 A.2	2706 A.2	2709 A.2	2712 A.2	2715 A.2	2718 A.2	2721 A.2	2724 A.2	2727 A.2	2730 A.2	2733 A.2	2736 A.2	2739 A.2	2742 A.2	2745 A.2	2748 A.2	2751 A.2	2754 A.2	2757 A.2	2760 A.2	2763 A.2	2766 A.2	2769 A.2	2772 A.2	2775 A.2	2778 A.2	2781 A.2	2784 A.2	2787 A.2	2790 A.2	2793 A.2	2796 A.2	2799 A.2	2802 A.2	2805 A.2	2808 A.2	2811 A.2	2814 A.2	2817 A.2	2820 A.2	2823 A.2	2826 A.2	2829 A.2	2832 A.2	2835 A.2	2838 A.2	2841 A.2	2844 A.2	2847 A.2	2850 A.2	2853 A.2	2856 A.2	2859 A.2	2862 A.2	2865 A.2	2868 A.2	2871 A.2	2874 A.2	2877 A.2	2880 A.2	2883 A.2	2886 A.2	2889 A.2	2892 A.2	2895 A.2	2898 A.2	2901 A.2	2904 A.2	2907 A.2	2910 A.2	2913 A.2	2916 A.2	2919 A.2	2922 A.2	2925 A.2	2928 A.2	2931 A.2	2934 A.2	2937 A.2	2940 A.2	2943 A.2	2946 A.2	2949 A.2	2952 A.2	2955 A.2	2958 A.2	2961 A.2	2964 A.2	2967 A.2	2970 A.2	2973 A.2	2976 A.2	2979 A.2	2982 A.2	2985 A.2	2988 A.2	2991 A.2	2994 A.2	2997 A.2	3000 A.2
----------	----------	----------	----------	----------	----------	----------	----------	----------	----------	----------	----------	----------	----------	----------	----------	----------	----------	----------	----------	----------	----------	----------	----------	----------	----------	----------	----------	----------	----------	----------	----------	----------	----------	----------	----------	----------	----------	----------	----------	----------	----------	----------	----------	----------	----------	----------	----------	----------	----------	----------	----------	----------	----------	----------	----------	----------	----------	----------	----------	----------	----------	----------	----------	----------	----------	----------	----------	----------	----------	----------	----------	----------	----------	----------	----------	----------	----------	----------	----------	----------	----------	----------	----------	----------	----------	----------	----------	----------	----------	----------	----------	----------	----------	----------	----------	----------	----------	----------	----------	----------	----------	----------	----------	----------	----------	----------	----------	----------	----------	----------	----------	----------	----------	----------	----------	----------	----------	----------	----------	----------	----------	----------	----------	----------	----------	----------	----------	----------	----------	----------	----------	----------	----------	----------	----------	----------	----------	----------	----------	----------	----------	----------	----------	----------	----------	----------	----------	----------	----------	----------	----------	----------	----------	----------	----------	----------	----------	----------	----------	----------	----------	----------	----------	----------	----------	----------	----------	----------	----------	----------	----------	----------	----------	----------	----------	----------	----------	----------	----------	----------	----------	----------	----------	----------	----------	----------	----------	----------	----------	----------	----------	----------	----------	----------	----------	----------	----------	----------	----------	----------	----------	----------	----------	----------	----------	----------	----------	----------	----------	----------	----------	----------	----------	----------	----------	----------	----------	----------	----------	----------	----------	----------	----------	----------	----------	----------	----------	----------	----------	----------	----------	----------	----------	----------	----------	----------	----------	----------	----------	----------	----------	----------	----------	----------	----------	----------	----------	----------	----------	----------	----------	----------	----------	----------	----------	----------	----------	----------	----------	----------	----------	----------	----------	----------	----------	----------	----------	----------	----------	----------	----------	----------	----------	----------	----------	----------	----------	----------	----------	----------	----------	----------	----------	----------





- 2702 C1 3700 D1 3700 D1 3700 D1 3700 D1 3700 D1 3700 D1 3700 D1 3700 D1 3700 D1 3700 D1
- 2702 C1 3700 D1 3700 D1 3700 D1 3700 D1 3700 D1 3700 D1 3700 D1 3700 D1 3700 D1 3700 D1
- 2702 C1 3700 D1 3700 D1 3700 D1 3700 D1 3700 D1 3700 D1 3700 D1 3700 D1 3700 D1 3700 D1
- 2702 C1 3700 D1 3700 D1 3700 D1 3700 D1 3700 D1 3700 D1 3700 D1 3700 D1 3700 D1 3700 D1
- 2702 C1 3700 D1 3700 D1 3700 D1 3700 D1 3700 D1 3700 D1 3700 D1 3700 D1 3700 D1 3700 D1
- 2702 C1 3700 D1 3700 D1 3700 D1 3700 D1 3700 D1 3700 D1 3700 D1 3700 D1 3700 D1 3700 D1
- 2702 C1 3700 D1 3700 D1 3700 D1 3700 D1 3700 D1 3700 D1 3700 D1 3700 D1 3700 D1 3700 D1
- 2702 C1 3700 D1 3700 D1 3700 D1 3700 D1 3700 D1 3700 D1 3700 D1 3700 D1 3700 D1 3700 D1
- 2702 C1 3700 D1 3700 D1 3700 D1 3700 D1 3700 D1 3700 D1 3700 D1 3700 D1 3700 D1 3700 D1
- 2702 C1 3700 D1 3700 D1 3700 D1 3700 D1 3700 D1 3700 D1 3700 D1 3700 D1 3700 D1 3700 D1

For Service Manuals Contact
MAURITRON TECHNICAL SERVICES
 8 Cherry Tree Rd, Chinnor
 Oxon OX9 4QY
 Tel:- 01844-351694 Fax:- 01844-352554
 Email:- enquiries@mauritron.co.uk

